

Instruction for Use

Trade Name: Arm Shield

Warning

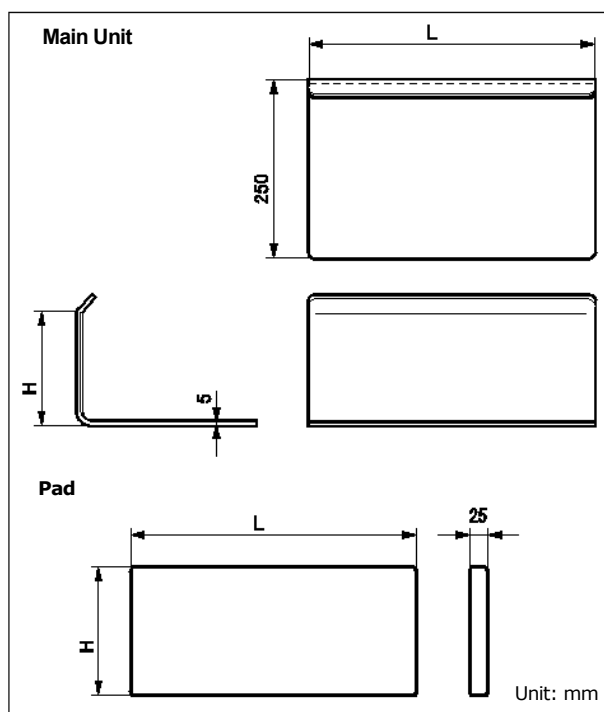
When using operating table accessories, always pay close attention to the patient. Patients left in the same posture for an extended period of time are at risk for developing bedsores.

Contraindication/Prohibition

1. This product is only validated for use with Mizuho operating tables.
- * 2. Do not exceed the maximum load specified in [Shape/Structure], Item 4. The product could break.

Shape/ Structure

1. External view



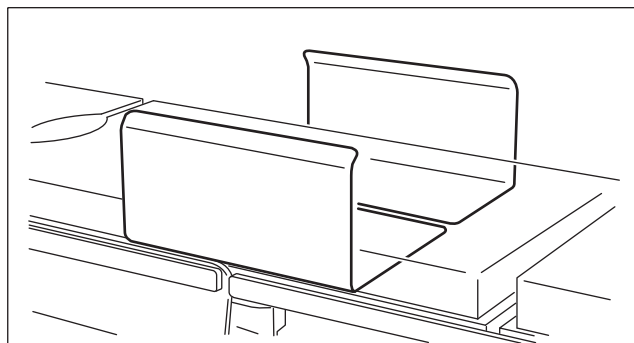
Code No.	Product Description	L (mm)	H (mm)
* 08-069-18	Pad for Arm Shield	400	180
08-086-07	Arm Shield	400	160
08-086-27	Arm Shield with Pad (130mm)	400	130
08-086-28	Arm Shield with Pad (160mm)	400	160
08-086-29	Arm Shield with Pad (190mm)	400	190

2. Weight (excluding pad)
 - 1.0 kg/unit (08-086-07)
 - 0.9 kg/unit (08-086-27)
 - 1.0 kg/unit (08-086-28)
 - 1.1 kg/unit (08-086-29)
3. Material
 - Main body: Polycarbonate
 - Pad: Urethane
- * 4. Maximum load
 - Unit: 13kg
 - Maximum patient weight: 450kg

Intended Purpose

This is an accessory to an operating table to prevent the patient's arms from falling.

Instructions for use



The product is inserted underneath the mattress on an operating table.

Caution

Important caution

When working with an operating table, take care not to allow this product to make contact or interfere with the table top or with other tools and appliances used in combination with this product.

Storage and Shelf Life

1. Do not store the device in high temperatures or in areas with high humidity where the temperature has drastic variations.
2. Service life of this product: 7 years
(subject to the specified maintenance and inspection and is stored properly)

Maintenance/Inspection

1. Check that this product is not damaged or broken before and after use.
2. Cleaning and disinfection
Wipe off blood, chemicals, contaminants, and other stains with water, and clean the device with gauze or other material moistened with alcohol to disinfect.
3. In case of a malfunction
If you need to have this product repaired, clearly label the device as "Broken", "Need repair" etc. and contact your local dealer or Mizuho.

<By suppliers>

Maintenance and inspection can only be carried out certified suppliers of Mizuho.

Packing

2 pieces per pack

Matters related to warranty period

MIZUHO Corporation will repair defective parts of this product without charge for one year from the date of delivery/installment except for cases of damage caused by a third party's repair, act of nature, improper use or damage on purpose. All other warranty terms and conditions are subject to regulations of MIZUHO Corporation

***Name and address of manufacturer**



MIZUHO Corporation
3-30-13 Hongo, Bunkyo-ku, Tokyo 113-0033, Japan
<http://www.mizuho.co.jp>

***Authorized Representative Europe**



Emergo Europe B.V.
Prinsessegracht 20, 2514 AP, The Hague
The Netherlands

Instruction for Use

Trade Name: Arm Shield

Warning

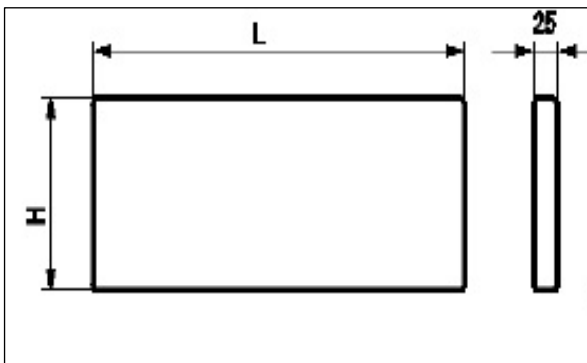
When using operating table accessories, always pay close attention to the patient. Patients left in the same posture for an extended period of time are at risk for developing bedsores.

Contraindication/Prohibition

This product is only validated for use with Mizuho operating tables.

Shape/ Structure

1. External view



Unit: mm

Code No.	Product Description	L (mm)	H (mm)
08-069-45	Pad for Arm Shield (150mm)	400	150

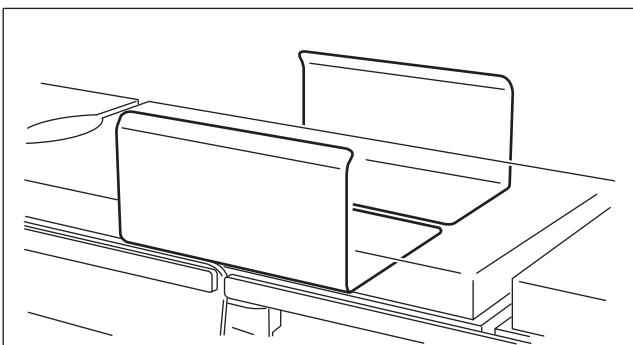
2. Material

Pad: Urethane

Intended Purpose

This is an accessory to an operating table to prevent the patient's arms from falling.

Instructions for use



The product is inserted underneath the mattress on an operating table.

Caution

Important caution

When working with an operating table, take care not to allow this product to make contact or interfere with the table top or with other tools and appliances used in combination with this product.

Storage and Shelf Life

- Do not store the device in high temperatures or in areas with high humidity where the temperature has drastic variations.
- Service life of this product: 7 years
(subject to the specified maintenance and inspection and is stored properly)

Maintenance/Inspection

- Check that this product is not damaged or broken before and after use.
- Cleaning and disinfection
Wipe off blood, chemicals, contaminants, and other stains with water, and clean the device with gauze or other material moistened with alcohol to disinfect.
- In case of a malfunction
If you need to have this product repaired, clearly label the device as "Broken", "Need repair" etc. and contact your local dealer or Mizuho.

<By suppliers>

Maintenance and inspection can only be carried out certified suppliers of Mizuho.

Packing

2 pieces per pack

Matters related to warranty period

MIZUHO Corporation will repair defective parts of this product without charge for one year from the date of delivery/installment except for cases of damage caused by a third party's repair, act of nature, improper use or damage on purpose. All other warranty terms and conditions are subject to regulations of MIZUHO Corporation

Name and address of manufacturer



MIZUHO Corporation
3-30-13 Hongo, Bunkyo-ku, Tokyo 113-0033, Japan
<http://www.mizuho.co.jp>